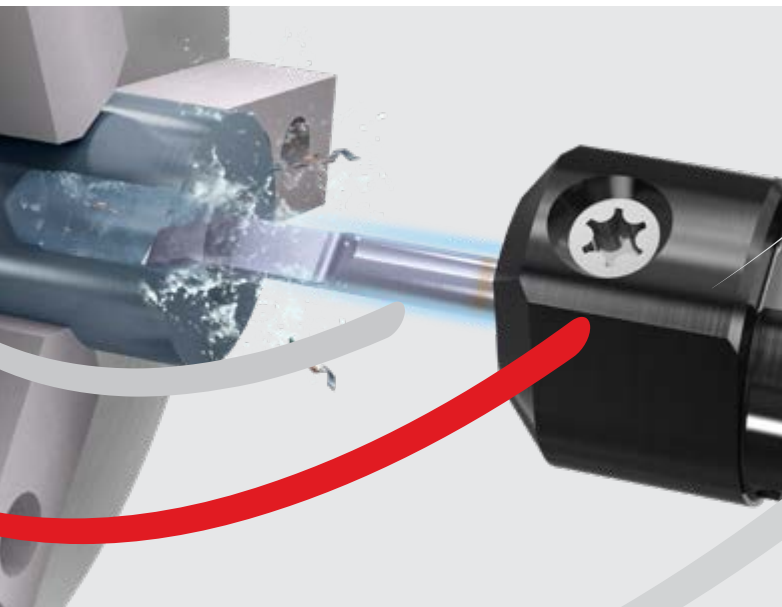
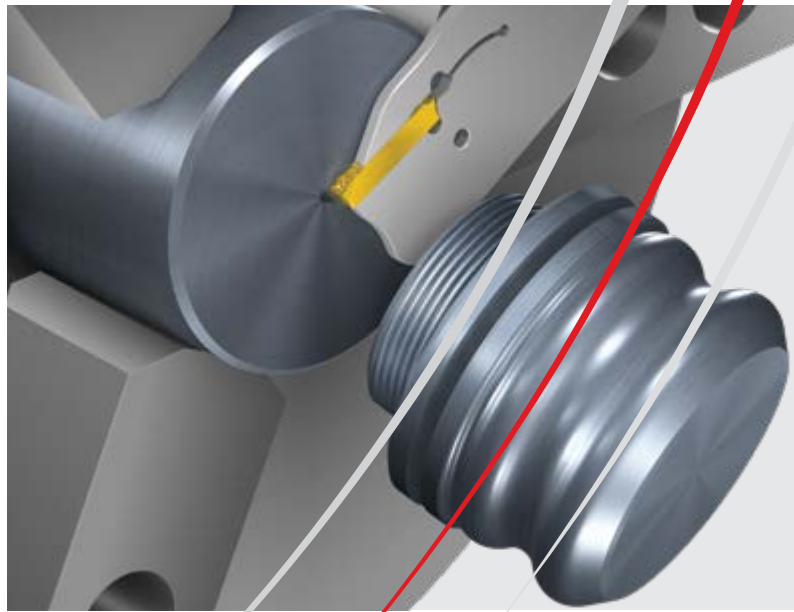


#1 in THREADING SOLUTIONS

vargus
NEUMO Ehrenberg Group

THE COMPANY AND ITS PRODUCTS



vargus
NEUMO Ehrenberg Group

LEADERS OF INNOVATION FOR OVER 60 YEARS



THREAD TURNING

VARGUS offers an extensive collection of pitches and standards in different grades, IC ranges and types of insert styles, as well as customized methods for the oil and gas industry.

FEWER PASSES FOR MACHINING
MACH TT

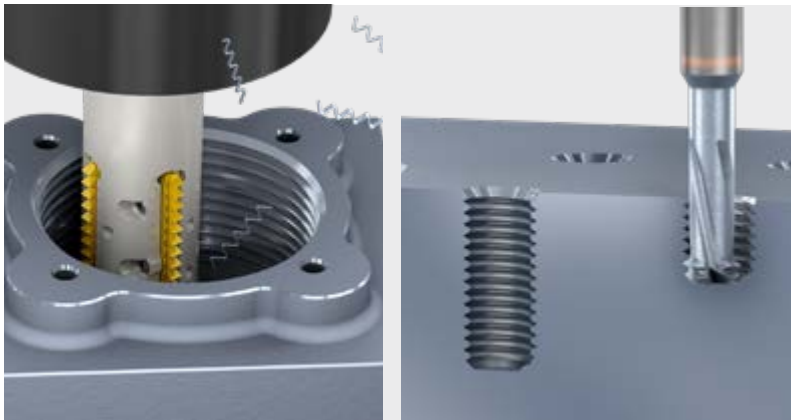
MACH TT
Supersonic Thread Turning

MACH
Supersonic Threading

UNMATCHED PRODUCTIVITY

MACH TM
Supersonic Thread Milling

HIGH feed
mm/flute
MACH TM



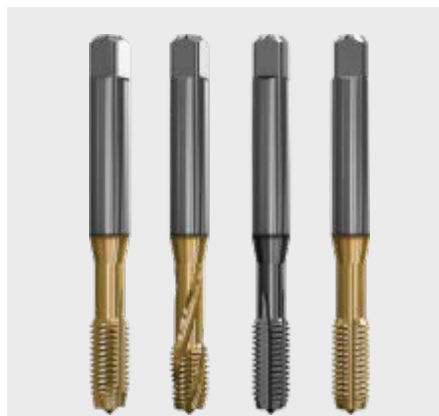
THREAD MILLING

VARGUS provides a wide range of applications and solutions in multi-tooth, single-tooth for deep holes, and solid carbide tools.



GEAR MILLING

Revolutionary and cost-effective solutions for Gear, Spline & Rack applications, tailor-made to order or available as standard.



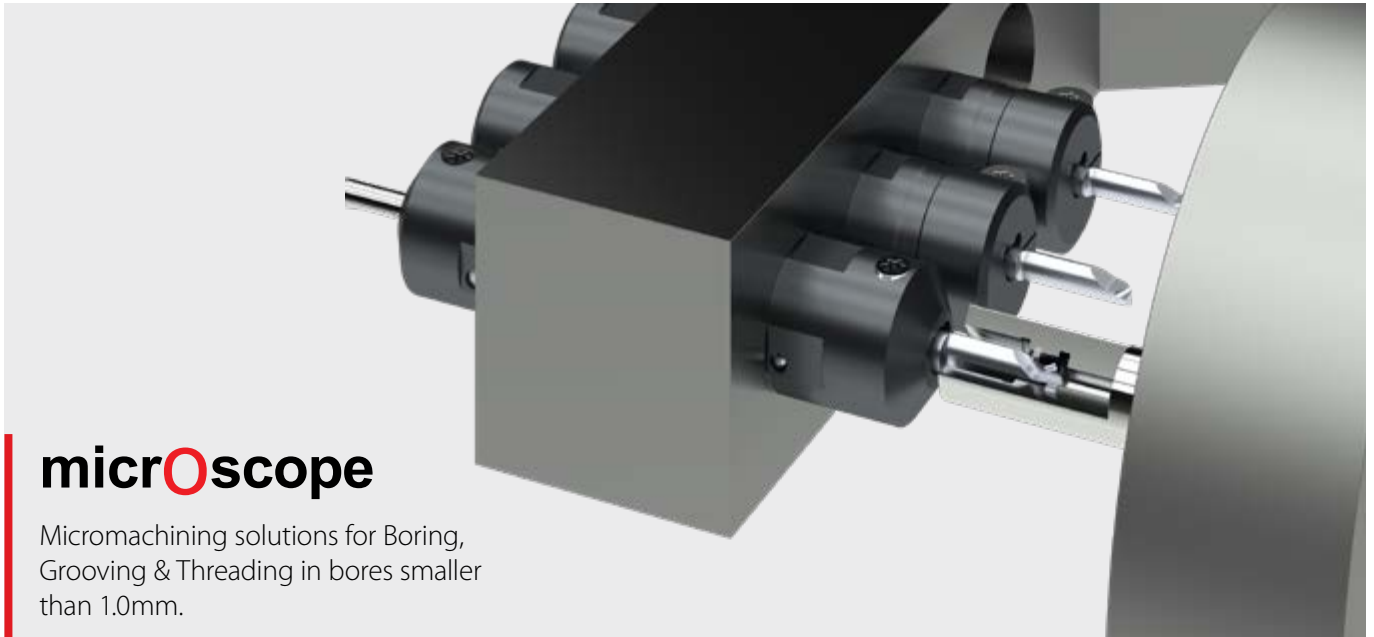
V-TAPS

Advanced tapping solutions for the most popular threading application standards.



V-WHIRLING

High precision whirling system for medical and micromachining applications.



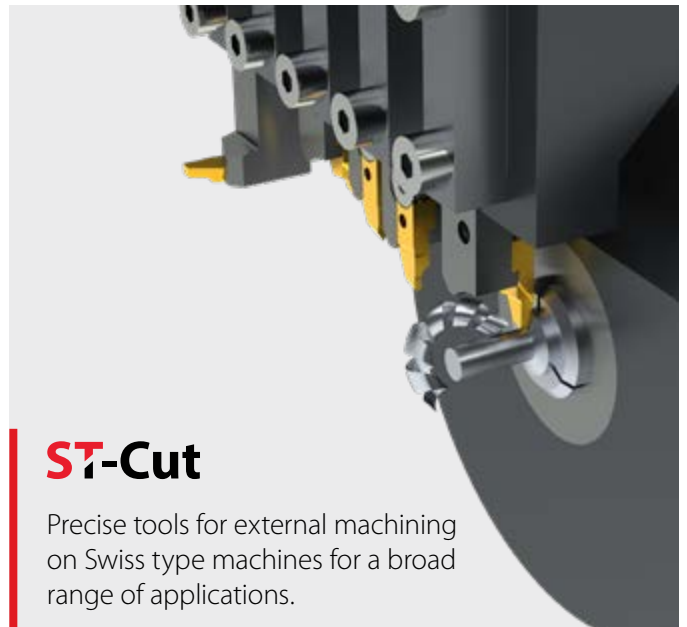
microscope

Micromachining solutions for Boring, Grooving & Threading in bores smaller than 1.0mm.



VG-Cut

Complete range of turning solutions for grooving, parting off, turning, profiling, face grooving and threading.



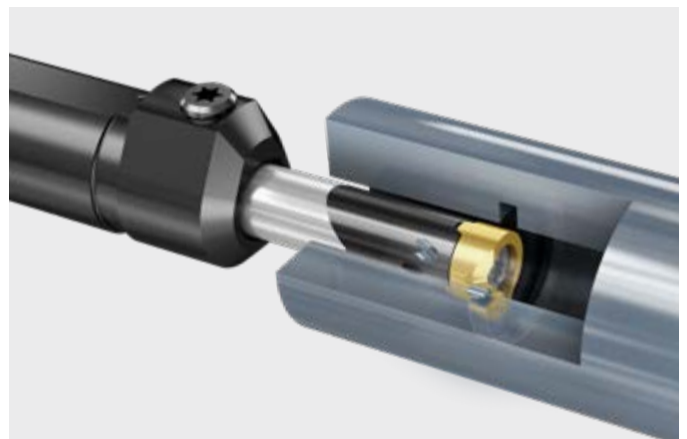
ST-Cut

Precise tools for external machining on Swiss type machines for a broad range of applications.



GrooVical

Precise Grooving & Turning for shallow grooves, with accurate grounded notch.



Mini-V

All-inclusive range of small parts machining solutions for boring, grooving & threading in bores from 7.8mm.



SHAVIV
GENiUS™

World's 1st Hand
Deburring Tool Selector!

The **SHAVIV GENiUS™** web application software lets the user easily navigate and choose the correct hand deburring solution based on the application and material required.



Get the best SHAVIV Tool Set for your job in just a few simple steps at www.shaviv-genius.com

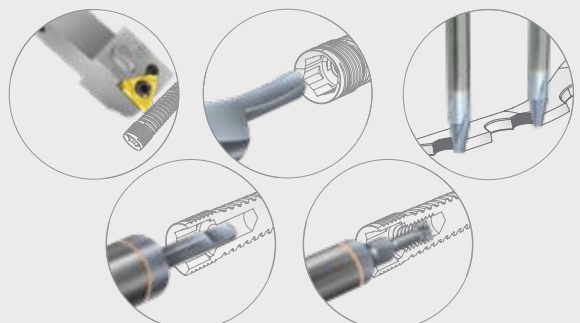
Oil&Gas

Expanded line of Thread Turning solutions for the Oil and Gas Industry



VARGUS
Medical

Standard and customized tools for common medical applications such as: Parting Off, Turning, Grooving, Thread Milling, Thread Turning, Whirling, Boring and Broaching.



VARGUS is a world leading developer, manufacturer and supplier of high-quality, precision threading, grooving, turning and hand deburring tools and has been at the forefront of the tooling industry now for more than 60 years.



Established in 1960, VARGUS is the cutting tools division of the NEUMO Ehrenberg Group, a multinational organization headquartered in Germany.

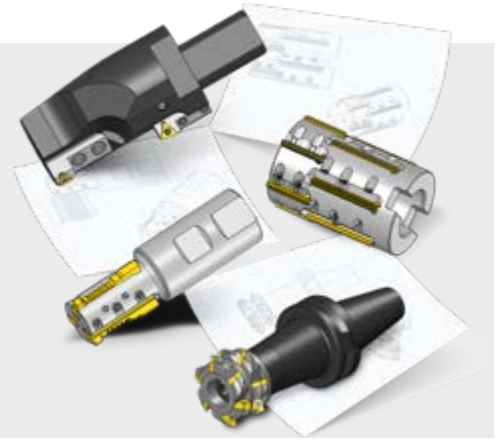
The NEUMO Ehrenberg Group is one of Europe's largest privately owned manufacturers and distributors of industrial stainless steel products, stainless steel flow equipment and metal cutting tools.

A customer-focused organization, VARGUS Ltd. is committed to providing products and solutions of the highest quality and excellent value, and is renowned for its technical expertise and uncompromising service.

CUSTOM-MADE SOLUTIONS

Vargus offers non-standard custom made solutions according to our customer's requirements.

Working closely with the customer, VARGUS engineers provide the best solution for your operation, as well as guide and advise in the implementation of the customized machining process.



VARGUS GENiUS™ | Tool Selector and CNC Program Generator

The most popular and advanced Thread Turning, Thread Milling, Tapping and Whirling software on the market today.

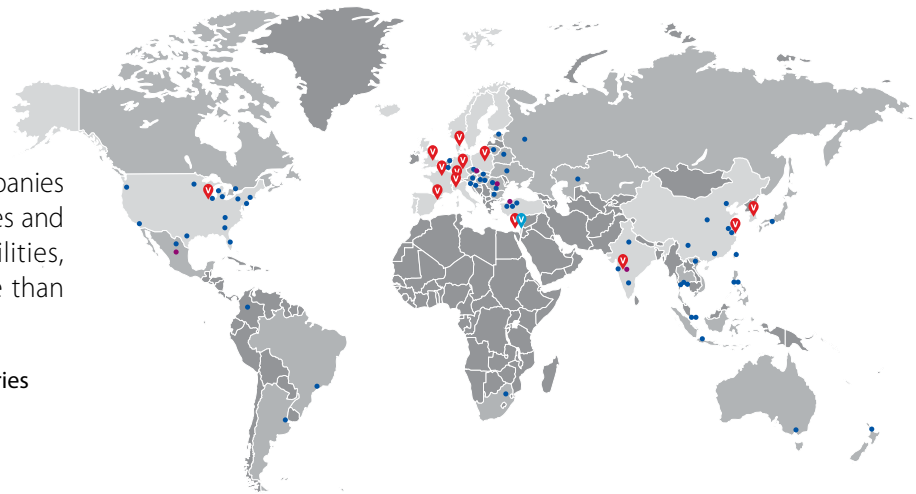
Available in 4 versions at www.vargus.com



VARGUS Worldwide

With a network of 14 international companies and hundreds of distributors, warehouses and certified ISO 9001 manufacturing facilities, VARGUS Ltd. serves customers in more than 100 countries around the globe.

- 📍 Global Headquarters
- 📍 Global Subsidiaries
- Vargus Regional Sales Offices
- Vargus Authorized Distributors



Global Headquarters - **VARGUS Ltd.** | ISRAEL | mrktg@vargus.com | vargus.com

EUROPE

VARGUS Scandinavia
vargus@vargus.dk

VARGUS France
commercial@vargus.fr

VARGUS Germany
info@vargus.de

NEUMO-VARGUS
neumo@neumo-vargus.co.il

VARGUS Novatea
info@novatea.it

VARGUS Poland
vargus@neumo.pl

VARGUS Ibérica
sales@vargus.es

VARGUS Switzerland
info@vargus.ch

VARGUS Turkey
ugurc@vargus.com

VARGUS Tooling UK
tooling.uk@vargustooling.co.uk

Romania Sales Office
sales-ro@vargus.com

Czech Republic & Slovakia Sales Office
sales-czsk@vargus.com

ASIA

VARGUS China
info@varguschina.net

VARGUS India
info@vargusindia.com

VARGUS Korea
info@varguskorea.co.kr

Asia Pacific Sales Office
prasadp@vargus.com

NORTH AMERICA

VARGUS USA
sales@vargususa.com

Mexico Sales Office
sales-mx@vargus.com